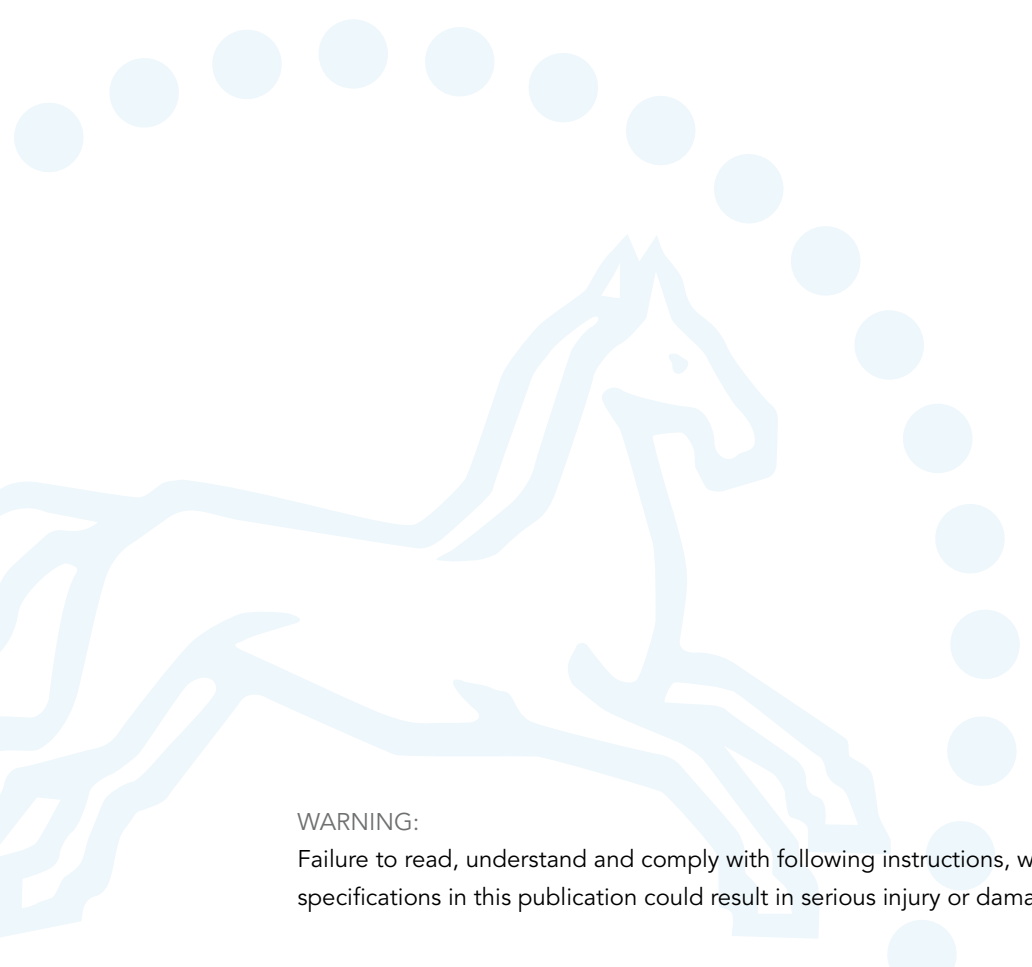


## Stainless steel products

Chain	8:2
Master links	8:3
Coupling link type NGS	8:3
Sling hook type NGHF	8:3
Lifting slings	8:4
Shackles	8:5 - 8:6
Rigging screws	8:7

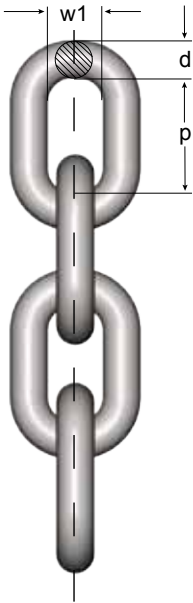


**WARNING:**

Failure to read, understand and comply with following instructions, working load limits and specifications in this publication could result in serious injury or damage to property.

## Stainless Steel Short Link Chain

Grade 50     Material: AISI 316L (corresponding 1.4404)



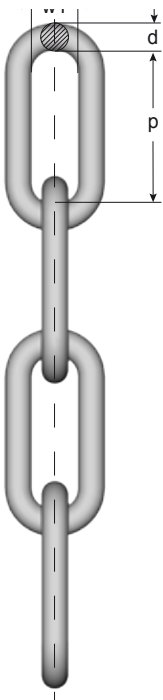
Stainless chain delivered in standard 25, 50 or 100 m lengths.

Art. no.	Code	d nom. mm	p » mm	w1 » mm	Weight kgs/m	WLL tonnes	Manufacturing proof force kN	Breaking force kN
G009865006	KL-6-5R	6	18	7.8	0.8	0.8	19	30
G009865008	KL-8-5R	8	24	10.4	1.4	1.3	31.5	50
G009865010	KL-10-5R	10	30	13	2.2	2	50	80
G009865013	KL-13-5R	13	39	16.9	3.8	3.2	80	125
G009865016	KL-16-5R	16	48	20.8	5.7	5	125	200
G009865018	KL-18-5R	19	54	24.3	7.3	6.3	155	250

## Stainless Steel Long Linked Chain LL

Material: AISI 316

May not be used for lifting operations



Chain on reels are marked every meter with blue colour, making it easier to measure and serve.

Code	Art. no. L =	Art. no. reel	d nom. mm	p » mm	w1 » mm	Weight kgs/m	Breaking force kN	Reel nr	Meter/ reel
LLB-3-R	Z800975	Z801540	3	26	6	0.1	5.7	1	50
LLB-5-R	Z800976	Z801541	5	35	10	0.4	15.7	1	25
LLB-6-R	Z800977	Z801542	6	42	12	0.6	22.6	2	25
LLB-8-R	Z800999	Z801543	8	52	16	1.1	40	2	20

## Stainless Steel Master Link Type NAF Grade 50

Material: AISI 316 L

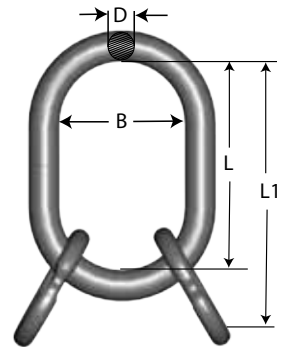
Art. no.	Code	WLL tonnes	Measurement mm			Weight appr. kgs
			L	B	D	
G009865106	NAF-0606	1	110	60	13	0.3
G009865108	NAF-08	1.3	110	60	16	0.5
G009865110	NAF-1008	2	135	75	18	0.8
G009865113	NAF-1310	3.2	160	90	22	1.5
G009865116	NAF-1613	5	180	100	26	2.3
G009865118	NAF-1816	7.1	200	110	32	3.9



## Stainless Steel Master Link Type NATF Grade 50

Material AISI 316 L

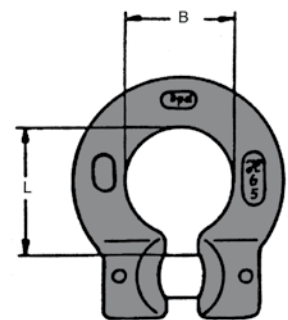
Art. no.	Code	WLL tonnes	Measurement mm				Weight appr. kgs
			L	L1	B	D	
G009865206	NATF-06	1.6	135	189	75	18	1.2
G009865208	NATF-08	2.7	160	230	90	22	2.2
G009865210	NATF-10	4.3	180	265	100	26	3.4
G009865213	NATF-13	6.7	200	315	110	32	6
G009865216	NATF-16	10	260	400	140	36	10



## Stainless Steel Coupling Link Type NGS Grade 50

Material AISI 316 L

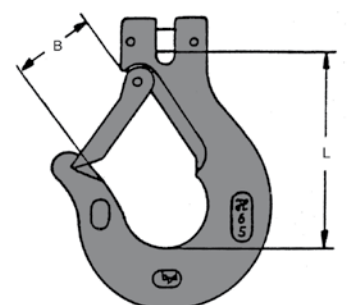
Art. no.	Code	WLL tonnes	For chain dim. mm	Measurement mm		Weight appr. kgs
				L	B	
G009865306	NGS-06	0.8	6	26	21	0.2
G009865308	NGS-08	1.3	8	30	24	0.2
G009865310	NGS-10	2	10	40	28	0.5
G009865313	NGS-13	3.2	13	44	34	0.7
G009865316	NGS-16	5	16	50	39	1.1



## Stainless Steel Sling Hook Type NGHF Grade 50

Material AISI 316 L

Art. no.	Code	WLL tonnes	For chain dim. mm	Measurement mm		Weight appr. kgs
				L	B	
G009865406	NGHF-06	0.8	6	81	26	0.4
G009865408	NGHF-08	1.3	8	101	35	0.6
G009865410	NGHF-10	2	10	121	39	1.6
G009865413	NGHF-13	3.2	13	138	53	2.6
G009865416	NGHF-16	5	16	176	69	5.4



# Stainless Steel Lifting Chain Sling - 1-4 leg

Grade 50

The stated WLL is valid for when all legs are equally loaded.

## Type: 1-R-BL



Dim. mm	WLL tonnes	Chain	Master link	Coupling link	Hook	Weight appr. kgs/ea		Comp. length mm
						Eff. length 2 m	3 m	
6	0.8	KL-6-5R	NAF-0606	NGS-06	NGHF-06	2.4	3.2	257
8	1.3	KL-8-5R	NAF-08	NGS-08	NGHF-08	4,3	5.7	304
10	2	KL-10-5R	NAF-1008	NGS-10	NGHF-10	7,5	9.7	369
13	3.2	KL-13-5R	NAF-1310	NGS-13	NGHF-13	12	15.8	420
16	5	KL-16-5R	NAF-1613	NGS-16	NGHF-16	20,2	25.9	496

## Type: 2-R-BL



Dim. mm	WLL tonnes		Chain	Master link	Coupling link	Hook	Weight appr. kgs/ea		Comp. length mm
	$\beta$ 0-45°	$\beta$ 45-60°					Eff. length 2 m	3 m	
	$\alpha$ 0-90°	$\alpha$ 90-120°							
6	1	0.8	KL-6-5R	NAF-0606	NGS-06	NGHF-06	4.5	6	257
8	1.7	1.3	KL-8-5R	NAF-1008	NGS-08	NGHF-08	7.8	10.6	304
10	2.8	2	KL-10-5R	NAF-1310	NGS-10	NGHF-10	13.4	17.8	369
13	4.5	3.2	KL-13-5R	NAF-1613	NGS-13	NGHF-13	21.6	29.2	420
16	7.1	5	KL-16-5R	NAF-1816	NGS-16	NGHF-16	36.5	47.9	496

## Type: 3-R-BL



Dim. mm	WLL tonnes		Chain	Master link	Coupling link	Hook	Weight appr. kgs/ea		Comp. length mm
	$\beta$ 0-45°	$\beta$ 45-60°					Eff. length 2 m	3 m	
	$\alpha$ 0-90°	$\alpha$ 90-120°							
6	1.6	1.1	KL-6-5R	NATF-06	NGS-06	NGHF-06	6.9	9.3	282
8	2.7	1.8	KL-8-5R	NATF-08	NGS-08	NGHF-08	11.8	16	329
10	4.3	3	KL-10-5R	NATF-10	NGS-10	NGHF-10	19.9	26.5	389
13	6.7	4.8	KL-13-5R	NATF-13	NGS-13	NGHF-13	33.2	44.6	440
16	10	7.5	KL-16-5R	NATF-16	NGS-16	NGHF-16	54.4	71.5	556

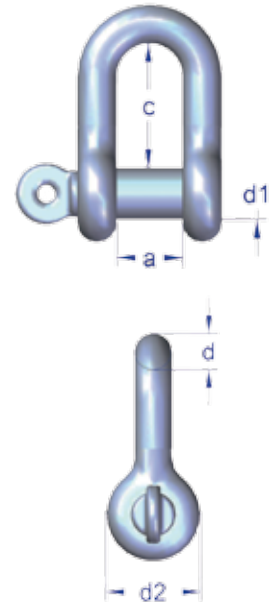
## Type: 4-R-BL



Dim. mm	WLL tonnes		Chain	Master link	Coupling link	Hook	Weight appr. kgs/ea		Comp. length mm
	$\beta$ 0-45°	$\beta$ 45-60°					Eff. length 2 m	3 m	
	$\alpha$ 0-90°	$\alpha$ 90-120°							
6	1.6	1.1	KL-6-5R	NATF-06	NGS-06	NGHF-06	8.8	12.1	282
8	2.7	1.8	KL-8-5R	NATF-08	NGS-08	NGHF-08	15.2	20.8	329
10	4.3	3	KL-10-5R	NATF-10	NGS-10	NGHF-10	25.8	34.6	389
13	6.7	4.8	KL-13-5R	NATF-13	NGS-13	NGHF-13	42.8	58	440
16	10	7.5	KL-16-5R	NATF-16	NGS-16	NGHF-16	70.3	93.1	556

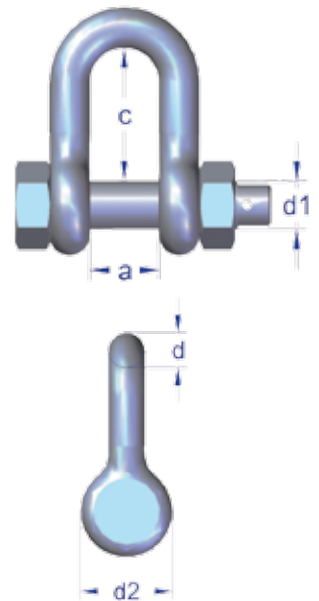
## Stainless Steel Shackle no. 730 Dee shackle with screw pin AISI 316

Art. no.	Dia. bolt D1 mm	d	a	c	d 2	MBL	Weight kgs
A073004	M4	4	8	15	9		0.01
A073005	M5	5	10	17	10	1.2	0.01
A073006	M6	6	12	24	12	1.8	0.03
A073008	M8	8	16	30	16	2.8	0.06
A073010	M10	10	20	38	20	4.3	0.1
A073012	M12	12	26	50	24	6.5	0.2
A073016	M16	13	24	52	33	12	0.3
A073020	M20	16	28	65	40	16	0.6
A073022	M22	19	30	72	48	20	0.9
A073024	M25	22	37	71	52	27	1.3



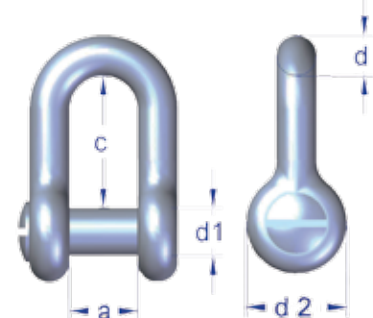
## Stainless Steel Shackle no. 735 Dee shackle with safety bolt AISI 316

Art. no.	WLL tonnes	Dia. bolt D1 mm	d1	d	a	c	d2	Weight kgs
A073510	0.6	M10	10	10	20	38	20	0.2
A073512	0.9	M12	12	12	26	50	24	0.3
A073516	1.5	M16	16	13	24	52	33	0.4
A073520	2.5	M19	19	16	28	65	40	0.7
A073522	3.0	M22	22	19	31	60	48	1.5
A073524	4.5	M25	25	22	37	71	52	1.3
A073533	7.5	M32	32	28	46	90	64	3.0
A073536	10.0	M35	35	32	52	100	72	4.1

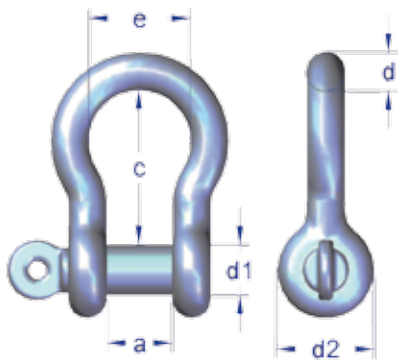


## Stainless Steel Shackle no. 732 Dee shackle with countersunk pin AISI 316

Art. No.	WLL tonnes	Dim. bolt D1 mm	d1	d	a	(c)	d2	Weight kgs
A073216	2.0	M16	16	13	24	52	32	0.3
A073217	2.0	M16	16	16	32	64	32	0.3
A073220	3.0	M20	20	16	28	65	40	0.6
A073222	3.0	M22	22	19	31	60	46	1.4

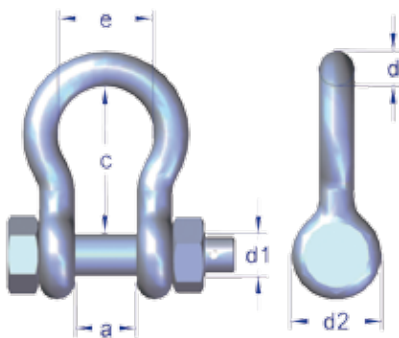


## Stainless Steel Shackle no. 750 Bow shackle with screw pin AISI 316



Art. no.	Dia. bolt D1 mm	d1	d	a	c	e	d2	MBL tonnes	Weight kgs
A075004	M4	4.0	4	8	18	13	9		0.01
A075005	M5	5.0	5	10	18	15	10		0.02
A075006	M6	6.0	6	12	22	17	12	1.2	0.03
A075008	M8	8.0	8	16	30	23	16	1.8	0.07
A075010	M10	10.0	10	20	36	27	20	2.8	0.11
A075012	M12	12.0	12	25	47	37	26	4.3	0.25
A075016	M16	13.0	13	25	47	33	33	12.0	0.33
A075020	M20	16.0	16	28	60	42	40	16.0	0.96
A075022	M22	19.0	19	31	71	51	48	20.0	1.0
A075024	M24	22.0	22	37	84	58	52	27.0	2.0

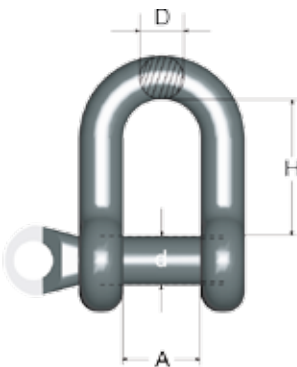
## Stainless Steel Shackle no. 755 Bow shackle with safety bolt AISI 316



Art. no.	WLL tonnes	Dia. bolt D1 mm	d1	d	a	c	e	d2	Weight kgs
A075510	0.6	M10	10	10	20	36	27	20	0.2
A075512	0.9	M12	12	12	25	47	37	26	0.3
A075516	1.5	M16	16	13	25	47	33	33	0.4
A075520	2.5	M20	20	16	28	60	42	40	0.8
A075522	3.0	M22	22	19	31	71	51	48	1.3
A075524	4.5	M24	25	22	37	84	58	52	1.7
A075533	7.5	M33	32	28	46	108	74	64	3.2
A075536	10.0	M36	35	32	52	119	83	72	5.2

## Commercial Dee Shackle, stainless steel Material: AISI 304

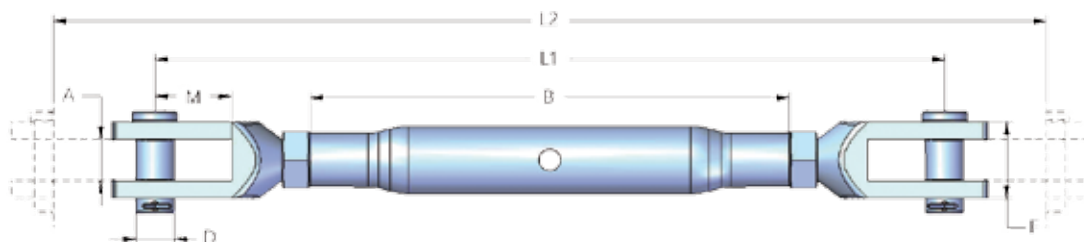
Not approved for lifting applications



Art. no.	Dia. Bolt d mm	Measurement (mm)			Packing qty
		D	B	H	
G007852050	M 5	5	10	19	20
G007852060	M 6	6	12	24	20
G007852080	M 8	8	16	32	20
G007852100	M 10	10	20	40	10
G007852120	M 12	12	25	48	10

Deviations in dimensions can occur.

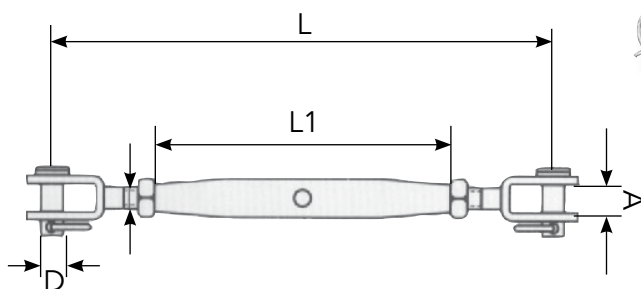
## Stainless Steel Rigging Screw, jaw-jaw Material: AISI 316



Art. no.	Thread UNF mm	Wire mm	Length body B	Length min. L1	Length max L2	D	A	M	F	Breaking load ton	Weight appr. kg/ea
A764806	1/4" - 6	3	90	145	210	6	7.8	12.5	15	1.5	0.1
A764808	5/16" - 8	4	100	165	240	8	9.1	14	17	2.3	0.2
A764810	3/8" - 10	5	115	195	270	9.5	10.1	17	20	3.5	0.3
A764811	7/16" - 11	6	130	220	300	11	11	20	22	4.6	0.4
A764812	1/2" - 12	7-8	155	270	375	12.7	13	20	25	6.2	0.6
A764816	5/8" - 16	8-10	190	320	450	15	16	30	30	7.7	1.1
A764820	3/4" - 20	10-12	240	420	570	18	20	35	45	12.5	2.1
A764824	1" - 24	14-16	325	520	740	22	28	65	51	20	5.1

## Stainless Steel Rigging Screw, jaw-jaw, commercial quality

Material: AISI 304



Art.no.	Thread	L	L1	A	D	Pack. size
G006782606	M 6	155	95	7.5	6.2	10
G006782608	M 8	180	105	10	8.7	10
G006782610	M 10	220	125	12	9.7	10
G006782612	M 12	255	150	14	12.6	10
G006782616	M 16	320	190	16	16	5



**GUNNEBO**  
LIFTING



## Index by chapter

### Chapter 1 - Information and Services

About us	1:1
Service Truck	1:6
Training Programs	1:8

### Chapter 2 - Chain and Components

#### GabiQ

Technical information	2:1 - 2:4
Chain GabiQ Grade 10	2:6
Master grab	2:6
Master links	2:7 - 2:9
Coupling link G	2:9
C-grab	2:9 - 2:10
C-lok CL	2:10
C-lok CLD	2:10
Safety hooks	2:11 - 2:14
Sling hooks	2:13, 2:16
Grab hook GG	2:15
Midgrab MIG	2:15
Foundry hook OKE	2:16
Roundsling hook RH	2:17
Container hook CH-3	2:17
Rotating lifting points	2:18 - 2:19
GabiQ in box	2:20
FlexiLeg	2:21 - 2:22
GabiQ Chain sling	2:22 - 2:27

#### Classic

Technical information	2:29 - 2:31
Chain Classic Grade 8	2:32
Master links	2:32 - 2:33
Coupling link G	2:34
Berglok chain coupler BL	2:34



Safety hooks	2:34 - 2:35
Sling hooks	2:36 - 2:37, 2:39
Foundry hook OKE, Classic	2:36
Swivel hooks	2:37
Grab hooks	2:38
Master link SKG, closed	2:38
Master link SKO, open	2:38
Clevis egglink CEL, Classic	2:39
Roundsling coupling SKR	2:39
Roller-bearing swivel SKLI/SKLU	2:40
Halflink SKT	2:40
Container hook BKGC	2:40
Universal weld-on hook UKN	2:41
Working Load Limits for classic chain slings	2:42
Chain sling examples, Classic	2:43
Lifting points	2:44 - 2:46
Additional technical information	2:48 - 2:49

### Chapter 3 - Shackles and Rigging Screws

Standard shackles	3:1 - 3:2
Speciality shackles	3:3 - 3:5
Shackle SA	3:6
Clevis shackle GSA	3:6
Shackles, grade 8, type A	3:7
Shackles, grade 3	3:8 - 3:9
Stainless steel shackles	3:9 - 3:11
Commercial quality shackles	3:11
Rigging screw, grade 8, Red alloy	3:12
Rigging screw, hot dip galvanized	3:13
Turn buckle, open body	3:14
Rigging screw, hot dip galvanized, jaw-jaw, commercial	3:15
Stainless steel rigging screws	3:16
Rigging screw, hook-eye	3:16

## Chapter 4 - Chain

Technical information	4:1 4:2
Short link chain, GrabiQ	4:3
Short link chain, KL, Classic	4:4
Midlink chain, ML, grade 8	4:5
Long link chain, LL, grade 8	4:5
Short link chain, KL, grade 2	4:6
Half long link chain, HL, grade 2	4:7
Long link chain, LL, grade 2	4:8
Security chain information	4:9
Security chain GLK with padlock	4:10
Security chain GLKO with padlock	4:10

## Chapter 5 - Polyester Lifting and Lashing

Technical information	5:2 - 5:5, 5:14 - 5:17
Roundsling	5:6 - 5:7
Protective sleeves	5:8
Webbing sling	5:10 - 5:11
Lifting and towing sling	5:12
Lashing 1 - 10 tonnes	5:18 - 5:19
Lashing systems	5:20
Chain tensioner	5:21
Edge protection	5:21
Webbing coiler	5:21
Lashing 0.3 tonnes	5:22
Lashing strap, Cambuckle	5:22
Lashing strap for home and private use	5:22
Lashing set, RS	5:23



## Chapter 6 - Johnson Blocks

Crane blocks	6:2
Snatch blocks	6:3 - 6:6
Derrick block, galvanized	6:6
Oil field blocks	6:7
Swivels	6:7
Wire rope sheaves	6:8
Open wedge sockets	6:8
Overhaul balls	6:9
Fixed bail construction and marine rigging block	6:10
Custom engineered products	6:11

## Chapter 7 - Other products and Spare parts

Manual equipment	7:1 - 7:6
Lifting clamps	7:7 - 7:20
Spare parts	7:20 - 7:25

## Chapter 8 - Stainless Steel Products

Chain	8:2
Master links	8:3
Coupling link type NGS	8:3
Sling hook type NGHF	8:3
Lifting slings	8:4
Shackles	8:5 - 8:6
Rigging screws	8:7

---

# Lifting Systems

**Gunnebo Industries Pty Ltd, AUSTRALIA**

Tel: +61 2 97 565 544

E-mail: [general.info@gunneboindustries.com.au](mailto:general.info@gunneboindustries.com.au)

[www.gunnebolifting.com](http://www.gunnebolifting.com)

**Gunnebo Industries Ltda, BRAZIL**

Tel: +55 11 4055 9800

E-mail: [gunneboindustries@gunneboindustries.com.br](mailto:gunneboindustries@gunneboindustries.com.br)

[www.gunnebolifting.com](http://www.gunnebolifting.com)

**Gunnebo Industries Co. Ltd, P.R of CHINA**

(Kunshan)

Tel: +86 512 5525 2200

E-mail: [info@gunnebolifting.cn](mailto:info@gunnebolifting.cn)

[www.gunnebolifting.com](http://www.gunnebolifting.com)

**Gunnebo Industries GmbH, GERMANY**

Tel: +49 273 989 720

E-mail : [info@gunneboindustries.de](mailto:info@gunneboindustries.de)

[www.gunneboindustries.de](http://www.gunneboindustries.de)

**Gunnebo Industries Ltd, IRELAND**

Tel: +353 1 4584 836

E-mail: [Ireland@gunnebolifting.com](mailto:Ireland@gunnebolifting.com)

[www.gunnebolifting.com](http://www.gunnebolifting.com)

**Gunnebo Anja Industrier AS, NORWAY**

Tel: +47 561 933 00

E-Mail: [sales@gunneboindustries.no](mailto:sales@gunneboindustries.no)

[www.gunneboindustrier.no](http://www.gunneboindustrier.no)

**Gunnebo Industries Sp.zo.o, POLAND**

Tel: +48 552 422 926

E-mail: [zawiesia@gunneboindustries.pl](mailto:zawiesia@gunneboindustries.pl)

[www.gunnebolifting.pl](http://www.gunnebolifting.pl)

**Gunnebo Industries (Pty) Ltd, SOUTH AFRICA**

Tel: +27 11 614 6078

E-mail: [info@gunneboindustries.co.za](mailto:info@gunneboindustries.co.za)

[www.gunnebolifting.com](http://www.gunnebolifting.com)

**Gunnebo Industrier AB, SWEDEN**

Lifting Systems

Tel: +46 317 643 700

E-mail: [gbg@gunnebolifting.com](mailto:gbg@gunnebolifting.com)

**International Sales Office**

Tel: +46 220 384 00

E-mail: [export@gunnebolifting.com](mailto:export@gunnebolifting.com)

[www.gunnebolifting.com](http://www.gunnebolifting.com)

**Gunnebo Industries Ltd, UNITED ARAB EMIRATES**

(Emirates Safety Services Ltd)

Tel: +97 143 477 325

E-mail: [emisafe@eim.ae](mailto:emisafe@eim.ae)

[www.gunnebolifting.com](http://www.gunnebolifting.com)

**Gunnebo Industries Ltd, UNITED KINGDOM**

Tel: +44 152 752 2560

E-mail: [sales@gunneboindustries.co.uk](mailto:sales@gunneboindustries.co.uk)

[www.gunneboindustries.com](http://www.gunneboindustries.com)

**Gunnebo Johnson Corporation, USA**

Tel: +1 918 832 8933

E-mail: [sales@gjcorp.com](mailto:sales@gjcorp.com)

[www.gunnebojohnson.com](http://www.gunnebojohnson.com)

