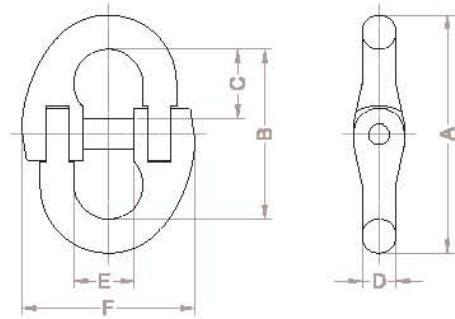


# CONNECTING LINK

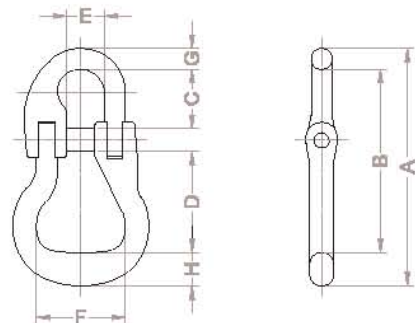


## SPECIFICATION

Product Code	Size (Inch)	SWL (WLL) (ton)	Dimension(mm)						Weight (kg)
			A	B	C	D	E	F	
LKCA-001	1/4	1.6	65	49	20	8	15	50	0.1
LKCA-002	5/16	2	73	55	24	9	17	58	0.2
LKCA-003	3/8	3.2	88	63	26	12.5	20	68	0.3
LKCA-004	1/2	5.4	116	84	32	16	27	86	0.7
LKCA-005	5/8	8.2	146	108	44	19	34	106	1.3
LKCA-006	3/4	12.8	168	124	52	22	43	121	1.9
LKCA-007	7/8	15.5	195	145	61	25	43	132	2.7
LKCA-008	1	21.6	213	152	63	31	57	159	4.5

- **Material**\_ Forged alloy steel
- **Test Load**\_ Proof Load = SWL(WLL)×2.5, Breaking Load = SWL(WLL)×4
- **Surface**\_ Painting
- **Reference**\_ ASTM A 952, EN 1677-4

# CONNECTING LINK TYPE B



## SPECIFICATION

Product Code	Size (Inch)	SWL (WLL) (ton)	Dimension(mm)								Weight (kg)
			A	B	C	D	E	F	G	H	
LKCB-001	3/4	12.8	238	181	52	106	43	94	22	35	3.3
LKCB-002	7/8	15.5	253	190	61	106	43	92	25	38	3.9
LKCB-003	1	21.6	293	217	63	129	57	108	31	45	6.3

- **Material**\_ Forged alloy steel
- **Test Load**\_ Proof Load = SWL(WLL)×2.5, Breaking Load = SWL(WLL)×4
- **Surface**\_ Painting