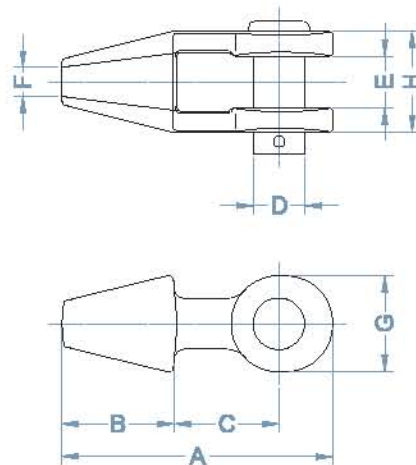


# OPEN SPELTER SOCKET PIN TYPE



## SPECIFICATION

Product Code	Size (inch)	SWL (WLL) (ton)	Dimension (mm)								Weight (kg)
			A	B	C	D	E	F	G	H	
SKOP-001	5/16 ~ 3/8	2	123	58	43	20.5	20.5	13	39	43	0.7
SKOP-002	7/16 ~ 1/2	3	140	65	50	25.5	26	14	48	52	1.1
SKOP-003	9/16 ~ 5/8	5	171	76	63	30	32	18	57	64	1.6
SKOP-004	3/4	7	202	92	76	35	38	22	66	72	2.7
SKOP-005	7/8	10	235	102	91	41.5	45	25	80	85	4.5
SKOP-006	1	12	268	114	103	50.5	51	29	95	100	7
SKOP-007	1-1/8	15	294	125	114	57	57	32	105	111	9.1
SKOP-008	1-1/4 ~ 1-3/8	20	335	140	130	63.5	64	38	121	124	13.9
SKOP-009	1-1/2	25	384	157	152	70	76	42	137	144	21.6
SKOP-010	1-5/8	30	413	165	165	76	76	44	146	142	25
SKOP-011	1-3/4 ~ 1-7/8	40	464	192	176	89	90	51	166	170	37
SKOP-012	2 ~ 2-1/8	50	546	216	229	95	102	57	178	194	58
SKOP-013	2-1/4 ~ 2-3/8	65	596	230	254	108	116	64	198	226	76
SKOP-014	2-1/2 ~ 2-5/8	80	650	250	273	121	126	73	216	248	114
SKOP-015	2-3/4 ~ 2-7/8	90	693	280	279	127	133	80	230	280	143
SKOP-016	3 ~ 3-1/8	100	736	310	278	133	148	87	242	300	172
SKOP-017	3-1/4 ~ 3-3/8	120	784	330	298	140	158	92	254	318	197
SKOP-018	3-1/2 ~ 3-5/8	140	845	356	324	152	172	98	280	340	255

- **Material** \_ 1/2 ~ 1-1/2" : Forged carbon steel  
3/8", 1-5/8 ~ 3-1/2" : Cast steel
- **Test Load** \_ Proof Load = SWL(WLL)×2, Breaking Load = SWL(WLL)×5
- **Surface** \_ Self Color / Hot Dip Galvanized
- **Reference** \_ Federal specification, RR-S-550D  
ISO 3189-1/2/3
- **ETC** \_ 3/8" ~ 3/4" size spelter socket have only one groove, 7/8" ~ 1-1/2" size have two groove and, 1-5/8" ~ 3-1/3" size have three groove.  
Available certificate of NDT (M/T, U/T), 3rd Inspection test report.  
Special size, design and, another material will can supply as your requirement.