

## Other products and Spare parts

Manual equipment

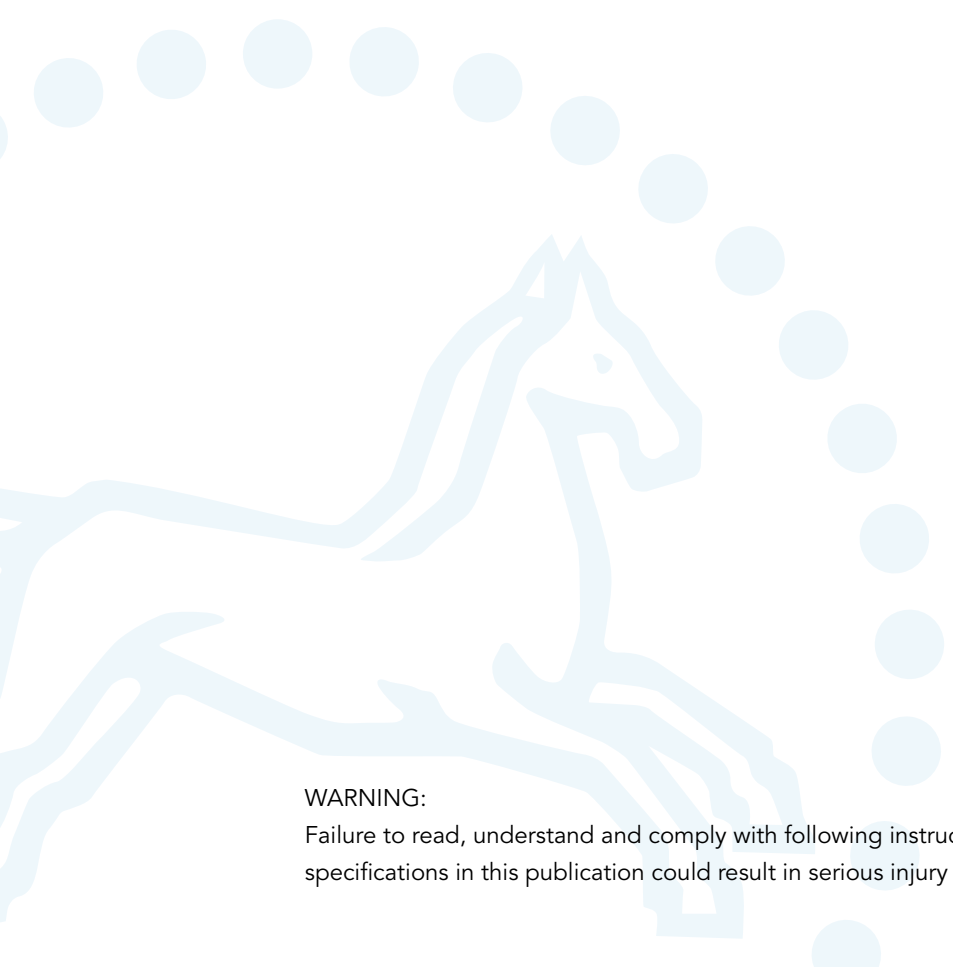
7:1 - 7:6

Lifting clamps

7:7 - 7:20

Spare parts

7:20 - 7:25



**WARNING:**

Failure to read, understand and comply with following instructions, working load limits and specifications in this publication could result in serious injury or damage to property.

## Steel Wire Rope Puller RP

A rope puller for lifting, pull-up or securing loads

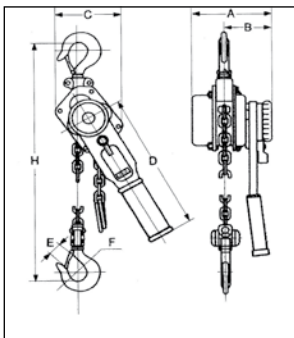
- Lightweight but strong aluminium housing design
- Ropes are supplied fused and tapered one end with eye-type latch hook at other end
- Other end fittings are available on request
- 20 meters operating rope is supplied as standard. Other lengths can be supplied from stock.



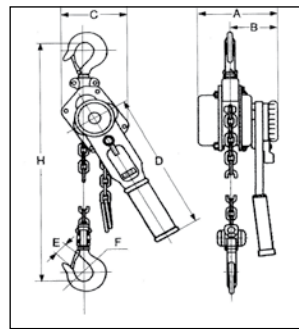
Art. no.	Code	WLL kgs	Length mm	wire diam. mm	Weight incl. wire kgs
G005600008	RP -800	800	800	8.3	15.5
G005600016	RP -1600	1600	1200	11.0	27.0
G005600032	RP -3200	3200	1200	16.0	50.0

## LiftiQ Lever Hoist

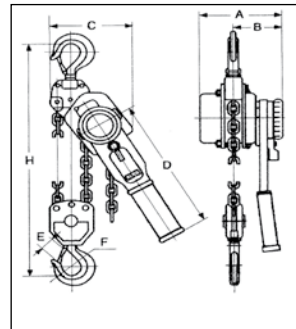
- Supplied as standard with 1.5 m height of lift (1 m for 250 kgs) but can be supplied with any other lift height required.
- Fully enclosed double pawl brake system.
- Zinc-plated and fully calibrated load chain.



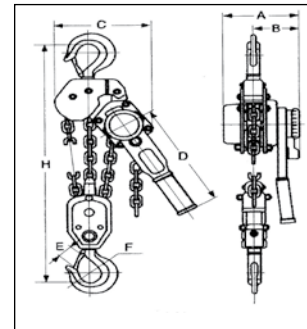
250 kgs



750 to 3000 kgs



6000 kgs



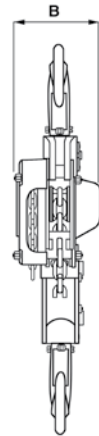
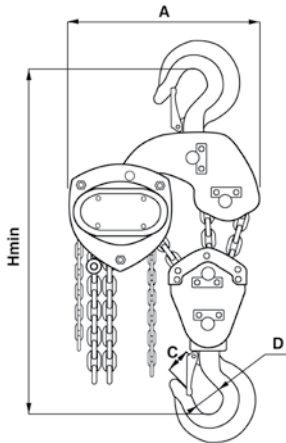
9000 kgs

Art. no. standard	WLL kgs	Chain falls	Load chain size mm	A	B	C	F	E	D	H min.	Weight kgs
G005591025	250	1	4x12	100	70	86	18	20	168	235	1.86
G005591080	800	1	5.6x17	158	98	132	25	26	278	340	5.8
G005591160	1600	1	7.1x21	173	99	145	45	33	378	400	9.27
G005591320	3200	1	10x30	200	112	198	55	42	388	520	16.5
G005591630	6300	2	10x30	200	112	230	65	47	388	640	21.29
G005591900	9000	3	10x30	200	112	338	87	50	388	730	38.14

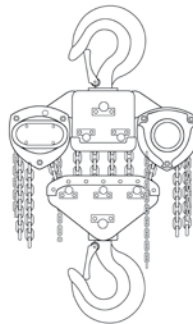


## LiftiQ Hand Chain Blocks

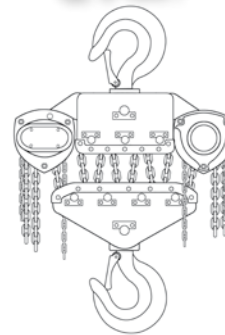
- Triple bearing construction with fully enclosed double pawl braking system
- Design provides low headroom requirement
- Available as unchained block only or chained to any required height of lift



10 tonnes



15 tonnes



20 tonnes

Art. no.		Capacity kgs	Chain falls	Load chain size mm	Pull to lift full load (N)	A	B	C	D	H min.	Weight 3 m (kgs)	Weight 6 m (kgs)
3 m	6 m											
G005592025	G005592030	250	1	4 x 12	187	120	114	21	31	320	7	10.8
G005592050	G005592060	500	1	5 x 15	226	146	138	23	35	390	10.1	14.5
G005592100	G005592110	1000	1	6.3 x 19	284	161	154	27	40	420	13.2	18.8
G005592150	G005592160	1500	1	7.1 x 21	298	182	176	33	45	442	17.4	24
G005592200	G005592220	2000	1	8 x 24	343	202	177	35	50	470	21.3	28.2
G005592210	G005592230	2000	2	6.3 x 19	286	205	154	35	50	295	20.1	27
G005592290	G005592310	3000	1	10 x 30	372	255	205	39	55	554	34.2	43
G005592300	G005592320	3000	2	7.1 x 21	302	230	176	39	55	640	26.2	35.8
G005592500	G005592505	5000	2	9 x 27	336	250	189	45	65	798	43.5	57.5
G005592508	-	7500	3	9 x 27	375	460	189	54	75	1107	61.5	80.5
G005592510	-	10 000	4	9 x 27	378	460	189	54	75	940	72	96.8
G005592515	-	15 000	6	9 x 27	382	718	200	70	95	1100	98.4	133.8
G005592520	-	20 000	8	9 x 27	378	850	200	80	106	1170	165	213.5
G005592530	-	30 000	10	9 x 30	417	703	387	82	110	950	238	304

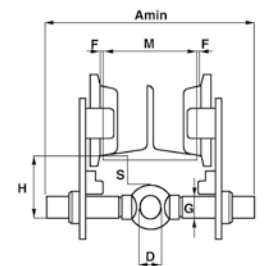
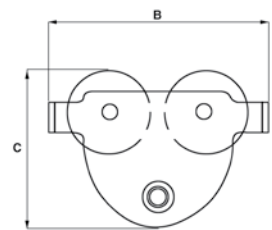
## LiftiQ Beam Trolleys

- Adjustable beam width with two adjustment ranges available.
- Threaded spindle for quick and easy adjustment
- Geared trolleys are supplied with 2.5 metres of hand chain, other drops are available on request.



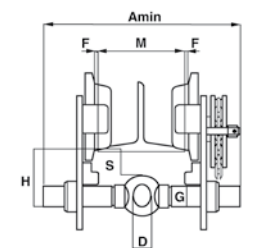
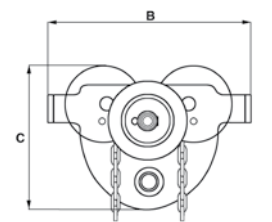
### Push Travel Beam Trolleys Type A

Art. no.	WLL tonnes	Beam width mm	A min.	B	C	H	S	D	G	F	Weight kgs
G005593005	0.5	50-220	284	206	156	74	32	25	30	1.5-3	8
G005593010	1.0	58-220	302	252	190	90	38	30	36	1.5-3	9
G005593020	2.0	66-220	314	276	222	106	38	40	48	1.5-3	16
G005593030	3.0	74-220	328	335	262	121	40	48	58	1.5-3	32
G005593050	5.0	90-220	346	432	377	292	136	42	52	1.5-3	48



### Geared Travel Beam Trolleys Type A

Art. no.	WLL tonnes	Beam width mm	A min.	B	C	H	S	D	G	F	Weight kgs
G005593055	0.5	50-220	284	206	156	74	32	25	30	1.5-3	9.7
G005593100	1.0	58-220	302	252	190	90	38	30	36	1.5-3	11.2
G005593120	2.0	66-220	314	276	222	106	38	40	48	1.5-3	18.0
G005593130	3.0	74-220	328	335	262	121	40	46	58	1.5-3	35.4
G005593150	5.0	90-220	346	377	292	136	42	52	65	1.5-3	51.8



## Load and Hand Chain

- Fits most known Lever Hoists and Hand Chain Blocks
- Grade 8 according to EN-818 part 7
- Electro-galvanized, fully calibrated



### Calibrated Load Chain

Art.no.	Dim. mm	Fits		Weight kgs / m
		Gunnebo Lifting's Hand Chain Blocks	Gunnebo Lifting's Lever Hoists	
G005593200	4 x 12	250 kg	250 kg	0.35
G005593205	5 x 15	500 kg	-	0.54
G005593210	5.6 x 17	-	800 kg	0.68
G005593215	6 x 18	-	-	0.80
G005593220	6.3 x 19	1000 kg, 2000 kg (2 falls)	-	0.86
G005593225	7.1 x 21.05	1500 kg, 3000 kg (2 falls)	1600 kg	1.10
G005593230	8 x 24	2000 kg (1 fall)	-	1.40
G005593235	9 x 27	5000 kg - 20 000 kg	-	1.80
G005593240	10 x 30	30 000 kg	3200 kg - 9000 kg	2.20

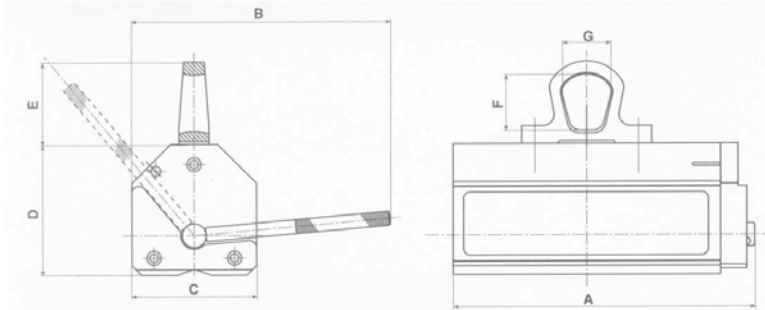


### Hand Chain

Art.no.	Dim. mm	Weight kgs / m
G005593250	5x24	0.48

# Hand Operated Lifting Magnet, type MaxX

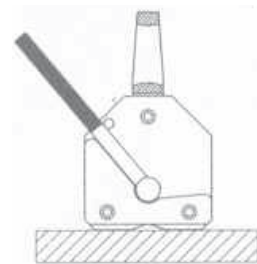
Ideal to handle machined or unmachined; flat or round ferritic loads.



Art. no.	Code	Dimension mm							Weight kgs
		A	B	C	D	E	F	G	
G005640015	MaxX 125	121	132	79	79	86	44	30	4
G005640025	MaxX 250	189	185	79	79	63	35	43	6
G005640050	MaxX 500	249	235	106	101	88	52	60	15
G005640100	MaxX 1000	342	316	133	131	88	52	60	34
G005640150	MaxX 1500	383	457	166	171	122	64	87	66
G005640200	MaxX 2000	457	457	166	171	122	64	87	80

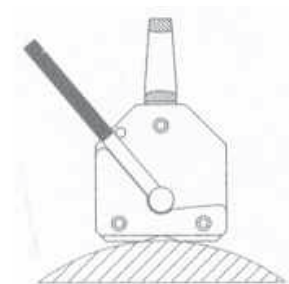
Code	WLL kgs	Material thickness min. mm	Length max mm
MaxX 125	125	20	1000
MaxX 250	250	20	1500
MaxX 500	500	25	2000
MaxX 1000	1000	40	3000
MaxX 1500	1500	45	3000
MaxX 2000	2000	55	3000

Flat load



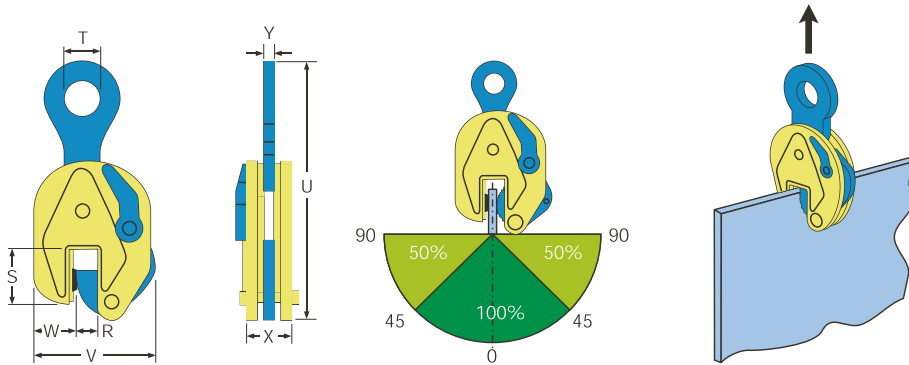
Code	WLL kgs	Material gauge min. mm	Length max. mm	Diameter max. mm
MaxX 125	50	10	1000	300
MaxX 250	100	10	1500	300
MaxX 500	200	15	2000	400
MaxX 1000	400	25	3000	450
MaxX 1500	600	30	3000	500
MaxX 2000	800	35	3000	600

Round load



## Standard Vertical Clamps TS/STS

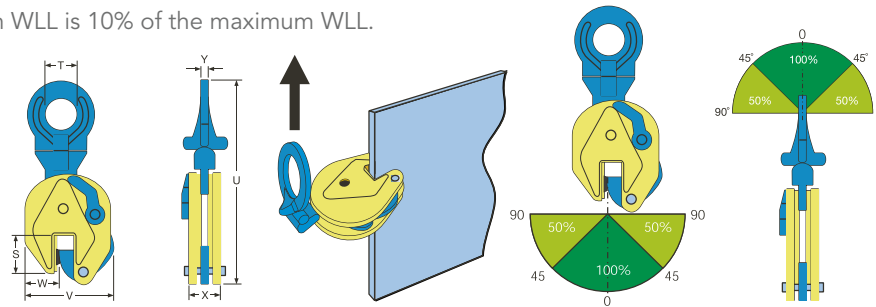
- For vertical lifting and transportation of steel plates and structures
- Equipped with safety mechanism ensuring the clamp does not slip when lifting force is applied or load is lowered
- Clamp can be locked in closed as well as open position
- Lifting capacity and jaw opening clearly marked in the body
- Type STS are supplied with enlarged jaw opening
- Minimum WLL is 10% of the maximum WLL



Art. no.	Code	Capacity kgs	Jaw opening (mm)	S	T	U	V	W	X	Y	Weight kgs
G005627398	0.75 TS	750	0 - 13	47	30	205	100	35	37	10	1.5
G005627399	1 TS	1000	0 - 18	55	45	265	125	38	47	15	3.3
G005627400	1 TSE	1000	0 - 25	55	44	240	142	38	35	15	3.6
G005627401	1.5 TS	1500	0 - 20	80	65	335	165	55	56	17	6.3
G005627407	2 TSE	2000	0 - 35	80	65	335	185	55	56	17	6.5
G005627402	3 TSE	3000	0 - 35	78	65	350	185	55	54	17	6.7
G005627403	4.5 TS	4500	0 - 25	85	70	430	200	60	77	20	14.8
G005627404	4.5 TSE	4500	0 - 45	85	68	430	245	64	67	22	15.9
G005627405	6 TS	6000	0 - 32	114	75	490	225	78	78	20	18.6
G005627409	7.5 TS	7500	0 - 40	112	75	530	245	76	86	20	24
G005627406	7.5 TSE	7500	0 - 55	112	75	530	267	70	86	20	25
G005627415	9 TS	9000	0 - 55	112	75	530	267	70	86	20	26
G005627513	12 TS	12000	0 - 52	120	84	610	310	110	75	20	42
G005627514	15 TS	15000	0 - 76	120	90	550	310	110	75	50	71
G005627515	17 TS	17000	0 - 76	120	90	550	310	110	75	50	71
G005627516	20 TS	20000	0 - 80	170	100	880	495	140	115	62.5	140
G005627517	25 TS	25000	5 - 85	170	100	880	495	140	115	62.5	140
G005627518	30 TS	30000	10 - 90	170	100	880	495	175	155	62.5	145
G005627411	6 STS	6000	40 - 90	115	75	490	275	70	78	20	22
G005627412	7.5 STS	7500	28 - 62	110	75	540	275	58	73	25	24
G005627413	9 STS	9000	50 - 100	110	75	525	315	70	82	20	27
G005627524	12 STS	12000	50 - 100	153	86	615	345	100	94	44	46
G005627525	15 STS	15000	80 - 150	120	90	550	440	110	75	50	77
G005627526	20 STS	20000	80 - 150	170	100	880	580	140	115	62.6	145
G005627527	25 STS	25000	80 - 150	170	100	880	580	140	115	62.5	145
G005627528	30 STS	30000	80 - 150	170	100	880	580	175	155	62.5	148

## Vertical Lifting Clamps TSU/STSU

- For lifting and transportation of steel plates and structures from all positions (horizontal, vertical and sideways).
- Articulated lifting shackle.
- TSU/STSU-lifting clamps are equipped with a safety mechanism, ensuring that the clamp does not slip when lifting force is applied and when load is being lowered
- The clamp is lockable in both closed as well as in open position.
- Lifting capacity and jaw opening are clearly engraved in the body.
- STSU / STSU is supplied with enlarged jaw opening.
- Minimum WLL is 10% of the maximum WLL.

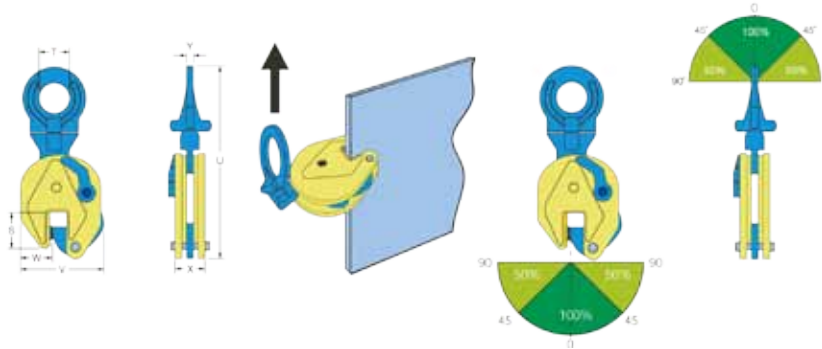


Art. no.	Code	Capacity kgs	Jaw opening (R) (mm)	S	T	U	V	W	X	Y	Weight kgs
G005627418	0.75 TSU	750	0 - 13	47	30	203	100	35	37	10	1.7
G005627419	1 TSU	1000	0 - 18	55	50	295	125	38	47	14	3.5
G005627420	1 TSEU	1000	0 - 25	55	48	285	142	38	35	18	3.9
G005627421	1.5 TSU	1500	0 - 20	80	70	370	165	55	56	16	7.2
G005627427	2 TSEU	2000	0 - 35	80	70	370	185	55	56	16	7.3
G005627422	3 TSEU	3000	0 - 35	80	70	385	185	55	42	15	7.5
G005627423	4.5 TSU	4500	0 - 25	85	70	430	200	60	77	20	15.6
G005627424	4.5 TSEU	4500	0 - 45	85	68	425	245	64	67	25	16.7
G005627425	6 TSU	6000	0 - 32	114	78	527	225	78	78	32	21
G005627429	7.5 TSU	7500	0 - 40	112	78	565	267	70	86	32	30
G005627426	7.5 TSEU	7500	0 - 55	110	80	560	285	70	73	32	30
G005627435	9 TSU	9000	0 - 55	112	78	565	267	70	86	45	30
G005627555	12 TSU	12000	0 - 52	148	85	650	295	100	94	48	42
G005627556	15 TSU	15000	0 - 76	159	85	765	373	136	106	48	75
G005627557	17 TSU	17000	0 - 76	159	85	765	373	136	106	48	77
G005627558	20 TSU	20000	0 - 80	195	100	900	465	150	140	71	145
G005627559	25 TSU	25000	5 - 85	195	100	900	465	150	140	71	148
G005627560	30 TSU	30000	10 - 90	195	100	900	465	145	140	71	150
G005627431	6 STSU	6000	40 - 90	115	75	527	275	70	78	20	24
G005627432	7.5 STSU	7500	50 - 100	110	75	565	315	70	82	20	28
G005627433	9 STSU	9000	50 - 100	110	75	565	315	70	82	20	28
G005627566	12 STSU	12000	50 - 100	153	86	650	345	100	94	44	45
G005627567	15 STSU	15000	80 - 150	175	86	765	450	136	106	50	80
G005627568	20 STSU	20000	80 - 150	185	100	900	640	153	140	66	150
G005627569	25 STSU	25000	80 - 150	185	100	900	640	153	140	66	150
G005627570	30 STSU	30000	80 - 150	185	100	900	640	153	155	62.5	155



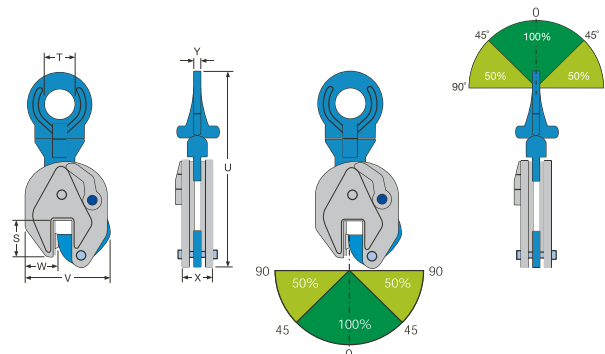
## Vertical Clamp with Extra Hardened Pivot and Cam

- Equipped with an extra hardened pivot and cam for lifting and transporting steel plates with a hardness of max. 50 HRC (for Hardox 400 and 500)
- Can be delivered as TSM and TSU model.
- Other capacities and jaw-openings on request.



Art. no.	Code	Capacity kgs	Jaw opening (R) (mm)	S	T	U	V	W	X	Y	Weight kg
G005627669	0.75 TS-H	750	0 - 13	47	30	205	100	35	37	10	1.5
G005627670	1 TSE-H	1000	0 - 25	55	45	265	142	38	47	15	3.6
G005627671	2 TSE-H	2000	0 - 35	80	65	335	185	55	56	17	6.5
G005627672	3 TSE-H	3000	0 - 35	80	65	335	185	55	56	17	6.7
G005627673	4.5 TSE-H	4500	0 - 45	85	70	430	230	60	77	20	15.9
G005627674	6 TS-H	6000	0 - 32	114	75	490	225	78	78	20	18.6
G005627675	7.5 TSE-H	7500	0 - 55	112	75	530	267	70	86	20	25
<hr/>											
G005627683	0.75 TSEU-H	750	0 - 13	47	30	203	100	35	37	10	1.7
G005627684	1 TSEU-H	1000	0 - 25	55	50	295	142	38	47	14	3.9
G005627685	2 TSEU-H	2000	0 - 35	80	70	370	185	55	56	16	7.3
G005627686	3 TSEU-H	3000	0 - 35	80	70	370	185	55	56	16	7.5
G005627687	4.5 TSEU-H	4500	0 - 45	85	70	430	230	60	77	20	16.7
G005627688	6 TSU-H	6000	0 - 40	114	78	527	225	78	78	32	21
G005627689	7.5 TSEU-H	7500	0 - 55	112	78	565	267	70	86	32	26

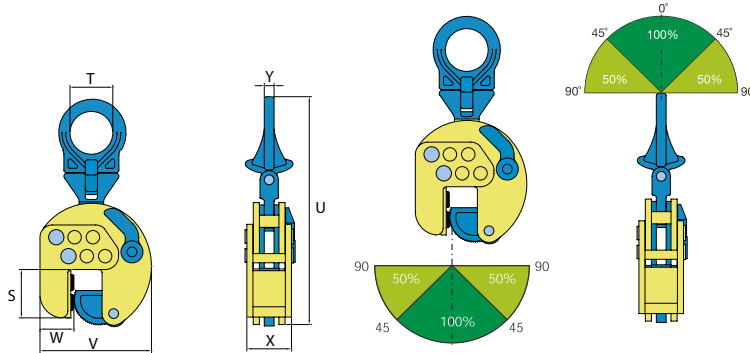
## Vertical Lifting Clamp TSU-R, stainless steel



Art. no.	Code	Capacity kgs	Jaw opening (mm)	S	T	U	V	W	X	Y	Weight kgs
G005627610	2 TSU-R	2000	0 - 20	80	70	370	165	55	56	16	7.2

## Vertical Clamp TSEU-A

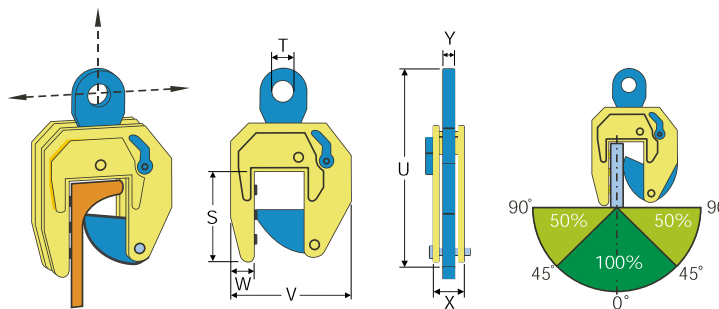
- Only 1 clamp needed for different kind of jobs.
- The same clamp can also be used if a big jaw opening is necessary.
- For lifting and transporting of steel plates and structures from all positions.
- Jaw opening from 0 - 95 mm. Adjustable by steps of 30 mm.
- Strong and lightweight construction.



Art. no.	Code	Capacity kgs	Jaw opening (mm)	S	T	U	V	W	X	Y	Weight kgs
G005627667	3 TSEU-A	3000	0 - 95	80	70	370	185-245	55	73	16	11

## Vertical Lifting Clamp TSHP

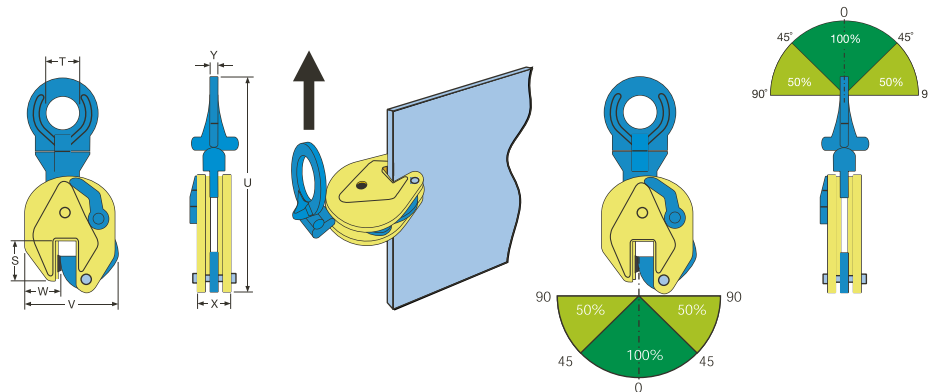
- For lifting and transporting of Holland-Profile (HP) and structures with HP-profile.
- Also useful as a "big-jaw" opening clamp.
- Standard with 3 pivots for extra powerful clamping force.
- The TSHP lifting clamps are equipped with a safety mechanism, ensuring the clamp does not slip when lifting force is applied and when load is being lowered.
- The clamp is locked in closed as well as in open Position.



Art. no.	Code	Capacity kg	Jaw opening (R) (mm)	S	T	U	V	W	X	Y	Weight kg
G005627571	1 TSHP	1000	0 - 80	205	70	520	280	66	64	16	19.5
G005627572	1.5 TSHP	1500	0 - 80	205	70	620	280	66	64	16	20
G005627690	1.5 TSHP-A	1500	0 - 155	160	70	520	340	66	70	16	20

## Vertical Lifting Clamp TSHPU

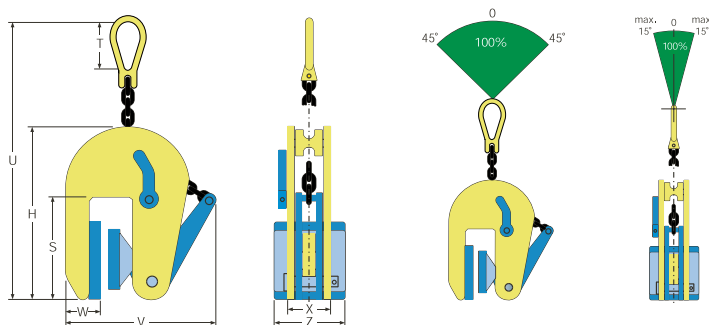
TSHPU is a follow-up of the TSHP-1 and TSHP-1.5. It is especially designed for lifting, handling and transporting of HP-profile and construction with HP-profile.



Art. no.	Code	Capacity kgs	Jaw opening (mm)	S	T	U	V	W	X	Y	Weight kgs
G005627573	3 TSHPU	3000	0 - 35	90	70	370	185	55	54	16	15
G005627574	5 TSHPU	5000	0 - 45	110	70	435	225	60	86	20	19

## Vertical Lifting Clamp TNMK / TNMKA

- TNMK is a NON-MARKING clamp with 2 special synthetic pads. The clamp can be used for lifting, handling and transporting (stainless) steel, aluminium, wood and marble plates.
- After lifting and handling, the clamps leave no markings.
- The clamp is locked in closed as well as in open position.

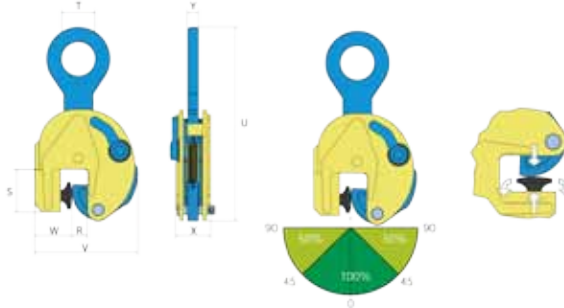


TNMKA  
 A min. 3 mm/max. 180 mm  
 B min. 220 mm/max. 400 mm  
 Adjustable in steps of 20 mm.

Art. no.	Code	Capacity kg	Jaw opening (R) (mm)	H	S	T	U	V	W	X	Z	Weight kg
G005627575	0.5 TNMK	500	1 - 20	200	93	65	360	220	48	48	80	5.5
G005627576	0.5 STNMK	500	17 - 37	200	93	65	360	240	48	48	80	5.5
G005627577	0.5 TNMKA	500	1 - 180	200	143	65	360	220 - 340	60	66	80	10
G005627578	1 TNMK	1000	1 - 30	235	95	80	400	275	46	54	80	6.5
G005627579	1.5 TNMK	1500	1 - 40	235	95	80	400	275	46	54	80	7.2
G005627580	2 TNMK	2000	1 - 50	360	120	100	710	406	63	65	80	14
G005627581	3 TNMK	3000	1 - 60	360	120	100	710	406	63	65	80	15

## Vertical Clamp TJP

- For vertical lifting and transporting of (thin) sheet metal.
- The TJP clamp is equipped with a special pivot, the special pivot will adapt itself to the load of the clamp. This will generate more friction which eliminates the chance of slipping loads.
- The TJP lifting clamp is equipped with a safety mechanism, ensuring the clamp does not slip when lifting force is applied and when load is being lowered.
- The clamp is locked in closed as well as in open position.
- Lifting capacity and jaw opening are clearly engraved in the body.

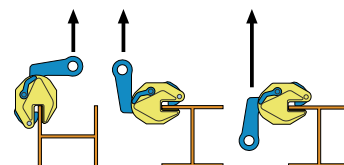
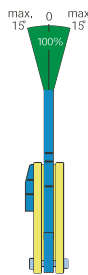
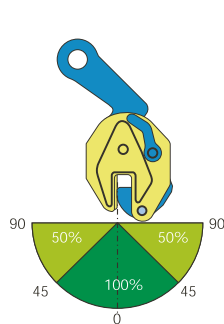
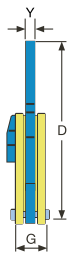
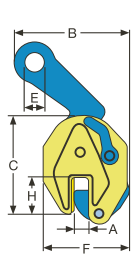


Art. no.	Code	Capacity kgs	Jaw opening (mm)	S	T	U	V	W	X	Y	Weight kgs
G005627692	1 TJP	1000	0 - 20	57	45	258	138	50	47	15	4

## Vertical Lifting Clamps FBK / TOBK

### FBK

- For lifting and transportation of steel beams, profiles and structures where the load must stay in position.
- The special shape of the lifting shackle, places the centre of the gravity of the beam to be lifted directly beneath the lifting shackle.
- This maintains the equilibrium of the beam once it has been lifted and keeps the flanges of the vertical so that the beam can easily be stacked or positioned.
- Especially recommended for transportation and stacking of steelbeams (e.g. when sawing of steelbeams, stacking of steel beams and building of steel construction).
- Lifting capacity and jaw-opening are clearly engraved in the body.



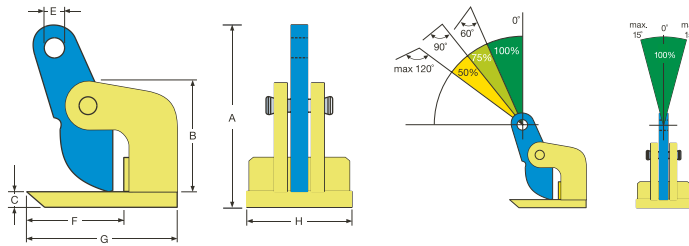
### TOBK

- For lifting and transportation of steel beams, profiles and structures.
- Because of the safety mechanism, the clamp is locked in closed as well as in open position.
- The clamp is suitable to lift steel beams on the flange as well as on the rear ends of the beam.
- Other capacity and jaw-opening on request.

Art. no.	Code	Capacity kgs	Jaw opening (R) (mm)	B	C	D	E	F	G	H	Y	Weight kgs
G005627618	1 FBK	1000	0 - 15	200	120	250	21.5	130	35	45	15	3
G005627619	1.5 FBK	1500	0 - 20	260	200	350	65	170	45	65	15	8
G005627620	3 FBK	3000	0 - 25	380	200	410	72	205	67	65	30	16
G005627621	2 TOBK	2000	3 - 20	280	157	325	64	168	67	65	17	9.5

## Horizontal Lifting Clamp TDH

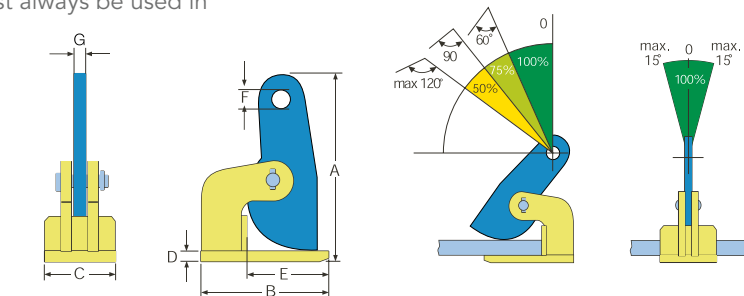
- For lifting and transporting of thin sheets that deflect when being lifted.
- Compact shape and relatively low own weights, with a high lifting capacity.
- The TDH horizontal lifting clamps must always be used in pairs (or multiples thereof).



Art. no.	Code	Capacity kgs/pair	Jaw opening (R) (mm)	A	B	C	E	F	G	H	Weight kgs/pcs
G005627598	1 TDH	1000	0 - 15	167	85	10	22,5	100	140	65	3
G005627599	2 TDH	2000	0 - 35	235	135	20	26	115	180	80	8
G005627693	4 TDH	4000	0 - 50	310	157	35	40	130	235	130	20
G005627694	6 TDH	6000	0 - 50	310	157	35	40	130	235	130	20

## Horizontal Lifting Clamps FHX / FHSX

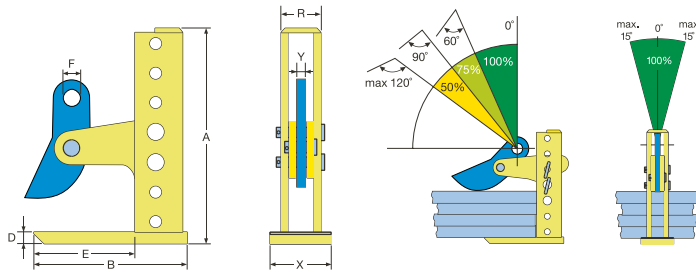
- For horizontal lifting and transporting of steel plates.
- The compact shape and relatively own light weight with a high lifting capacity.
- The FHX / FHSX lifting clamps must always be used in pairs (or multiples thereof).
- Lifting capacity and jaw opening are clearly engraved in the body.
- The FHS has an enlarged jaw opening.



Art. no.	Code	Capacity kgs/pair	Jaw opening (R) (mm)	A	B	C	D	E	F	G	Weight kgs/pcs
G005627582	1 FHX	1000	0 - 35	188	140	65	10	100	25	15	2.6
G005627583	2 FHX	2000	0 - 60	290	180	90	15	115	30.5	16	7,5
G005627584	3 FHX	3000	0 - 60	293	180	90	20	118	30.5	16	8
G005627585	4 FHX	4000	0 - 60	306	220	105	25	145	30.5	20	13
G005627586	6 FHX	6000	0 - 60	306	220	110	25	145	30.5	20	13
G005627587	8 FHX	8000	0 - 60	335	225	120	35	135	30.5	30	18
G005627588	10 FHX	10000	0 - 60	335	225	120	35	135	30.5	30	20
G005627589	12 FHX	12000	0 - 60	335	225	120	35	135	30.5	30	21
G005627590	2 FHSX	2000	0 - 100	380	180	90	15	120	30.5	15	9
G005627591	3 FHSX	3000	0 - 100	390	180	90	20	120	30.5	15	14
G005627592	4 FHSX	4000	0 - 100	415	220	105	25	145	30.5	20	15
G005627593	6 FHSX	6000	0 - 100	415	220	120	25	145	30.5	20	22
G005627594	8 FHSX	8000	0 - 100	430	225	120	35	135	30.5	30	22
G005627595	10 FHSX	10000	0 - 100	430	225	120	35	135	30.5	30	22
G005627596	12 FHSX	12000	0 - 100	430	225	120	35	135	30.5	30	22
G005627597	15 FHSX	15000	0 - 150	665	350	140	35	240	45	35	50

## Horizontal Lifting Clamp THSK

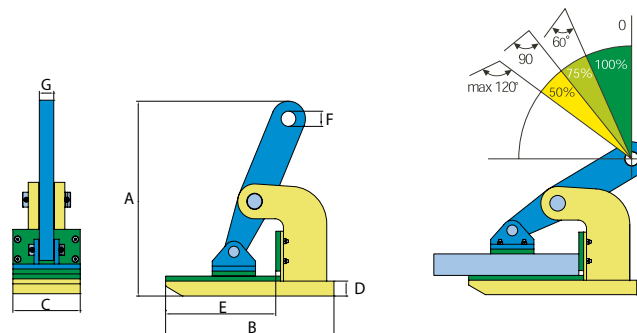
- For lifting, handling and transporting of packages and single steel plates.
- The THSK horizontal lifting clamps must always be used in pairs (or multiples thereof).
- Opening 3 - 180, 3 - 300 and 3 - 420 mm.



Art. no.	Code	Capacity kgs/pair	Jaw opening (mm)	A	B	D	E	F	R	X	Y	Weight kgs/pcs
G005627600	1.5 THSK/180	1500	3 - 180	290	200	15	135	27	60	87	20	9
G005627601	1.5 THSK/300	1500	3 - 300	410	200	15	135	27	60	87	20	11.5
G005627602	3 THSK/180	3000	3 - 180	300	240	20	165	27	70	105	20	14.5
G005627603	3 THSK/300	3000	3 - 300	410	235	20	165	27	70	105	20	13
G005627604	4.5 THSK/180	4500	3 - 180	300	240	20	165	27	70	105	20	13
G005627605	4.5 THSK/420	4500	3 - 420	530	235	20	170	27	70	105	20	15
G005627606	6 THSK/180	6000	3 - 180	305	250	25	160	27	77	120	20	20
G005627607	6 THSK/420	6000	3 - 420	540	250	25	165	27	75	120	20	23
G005627608	9 THSK/180	9000	3 - 180	305	250	25	160	27	77	120	20	25.5
G005627609	9 THSK/420	9000	3 - 420	540	250	25	165	27	75	120	20	29.5

## Horizontal Lifting Clamp TNMH

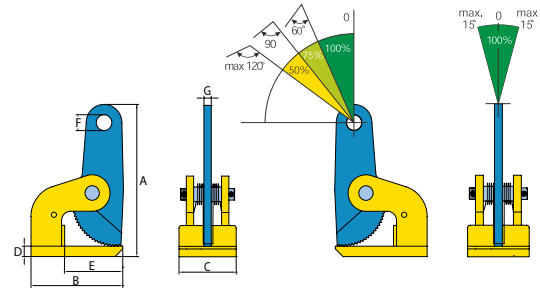
- The TNMH lifting clamp is suited for transporting and lifting objects with a fragile surface. E.g stainless steel, wood panels, aluminium etc.
- The jaw and cam is covered with a high quality pressure resistant material.



Art. no.	Code	Capacity kgs/pair	Jaw opening (mm)	A	B	C	D	E	F	G	Weight kgs/pcs
G005627613	1 TNMH	1000	0 - 25	154	140	65	15	95	20	15	3.5
G005627614	2 TNMH	2000	0 - 45	270	225	90	23	150	30.5	15	9
G005627615	3 TNMH	3000	0 - 45	275	225	90	28	160	30.5	15	13
G005627616	4 TNMH	4000	0 - 50	305	250	105	28	160	30.5	20	16
G005627617	6 TNMH	6000	0 - 50	310	250	120	33	160	30.5	20	17

## Horizontal Lifting Clamp FHX-V

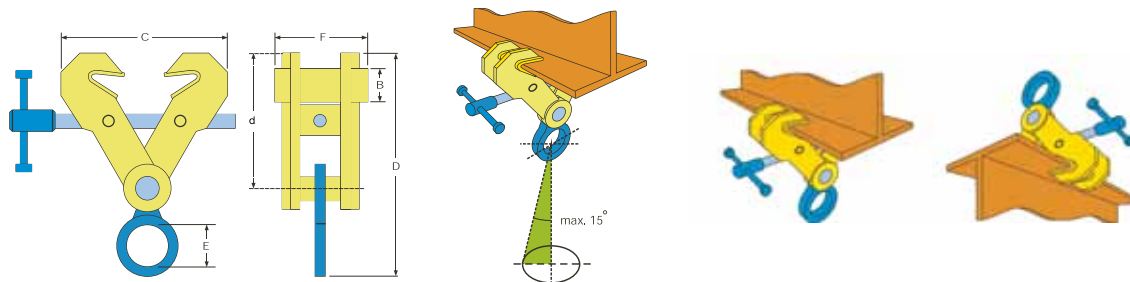
- The FHX-V Lifting clamp has a spring attached to the cam assembly. The spring makes sure that the clamp will be closed on any desired spot.
- One of the major advantages of this clamp is that only one person is able to place the clamps and to guide the hoist.



Art. no.	Code	Capacity kgs/pair	Jaw opening (R) (mm)	A	B	C	D	E	F	G	Weight kgs/pcs
G005627695	1 FHX-V	1000	0 - 35	193	140	85	10	100	25	15	3
G005627696	2 FHX-V	2000	0 - 60	290	180	125	15	115	30.5	16	9
G005627697	3 FHX-V	3000	0 - 60	293	180	125	20	115	30.5	16	10
G005627698	4 FHX-V	4000	0 - 60	310	220	165	30	140	30.5	20	15
G005627699	6 FHX-V	6000	0 - 60	310	220	165	30	140	30.5	20	15

## Screw Lifting Clamps FSV / FSVW

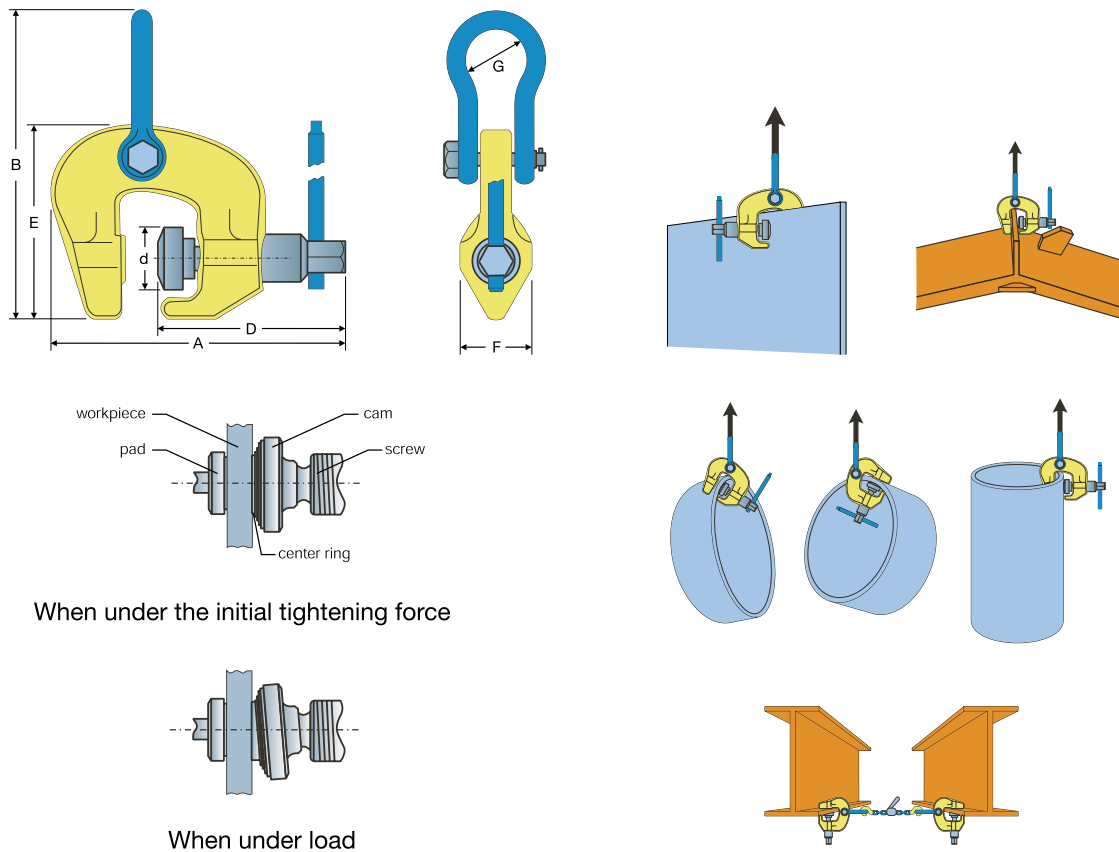
- For horizontal lifting and transporting of steel beams and structures.
- Can also be attached upside down and be used as a (temporary) lifting point.
- Has equal opening and closing of both jaws for simple and quick assembly.
- Lifting capacity and jaw opening are clearly engraved in the body.
- The screw clamp FSVW is identical to FSV but is delivered without a lifting eye allowing you to choose your own means of fixation.



Art. no.	Code	Capacity kg	Jaw opening (R) (mm)	B	C max	D max	E	F	Weight kg
G005627622	1 FSV	1000	75 - 190	30	285	310	73	120	4
G005627623	2 FSV	2000	75 - 190	30	285	310	73	120	5
G005627624	3 FSV	3000	75 - 190	30	285	310	73	120	5
G005627625	4 FSV	4000	150 - 300	50	460	430	79	180	13
G005627626	5 FSV	5000	150 - 300	50	460	430	79	180	14
G005627627	10 FSV	10000	350 - 450	130	670	670	85	200	35
G005627628	1 FSVW	1000	75 - 190	30	285	150	73	120	3
G005627629	2 FSVW	2000	75 - 190	30	285	150	73	120	4
G005627630	3 FSVW	3000	75 - 190	30	285	150	73	120	4
G005627631	4 FSVW	4000	150 - 300	30	460	245	79	180	12
G005627632	5 FSVW	5000	150 - 300	30	460	245	79	180	12

## Screw Lifting Clamp TSCC

- Universal screw clamp for vertical and horizontal lifting and transporting of a large variety of steel structures.
- The TSCC screw clamp is fitted with a moveable cam on the thread spindle which provides a powerful clamping force on the workpiece.
- The articulated lifting eye ensures an effective clamping force in every position.



Art. no.	Code	Capacity kgs	Jaw opening (R) (mm)	A	B	D	d	E	F	G	Weight kgs
G005627633	0.5 TSCC	500	0 - 28	156	113	89	26	76	30	17	0.8
G005627634	1 TSCC	1000	0 - 30	175	204	126	42	128	46	38	3.2
G005627635	1.5 TSCC	1500	0 - 32	187	229	135	42	143	46	45	4
G005627636	3 TSCC	3000	0 - 50	224	265	165	49	165	54	50	7
G005627637	6 TSCC	6000	0 - 75	291	365	215	63	214	69	80	18
G005627700	1 TSCC-W	1000	50 - 100	258	273	155	42	190	46	45	3.2
G005627701	3 TSCC-W	3000	25 - 75	250	291	165	49	191	54	50	7.8

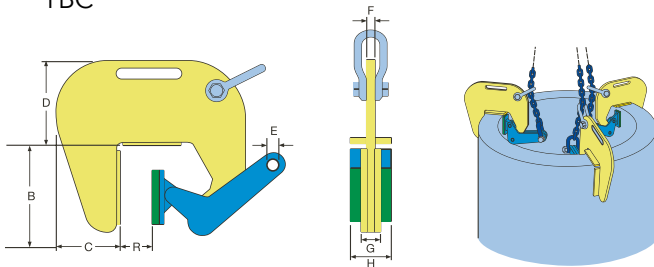




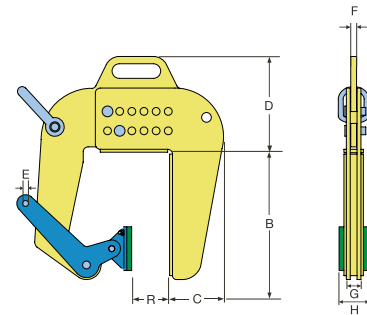
## Pipe Lifting Clamp TBC / TBCA

- For vertical lifting and transporting of concrete pipe and wells.
- The TBC clamps must always be used in pair or per three clamps.
- Higher capacities or other jaw opening upon request.
- The moveable side is fitted with a special high pressure plastic surface.

TBC



TBCA

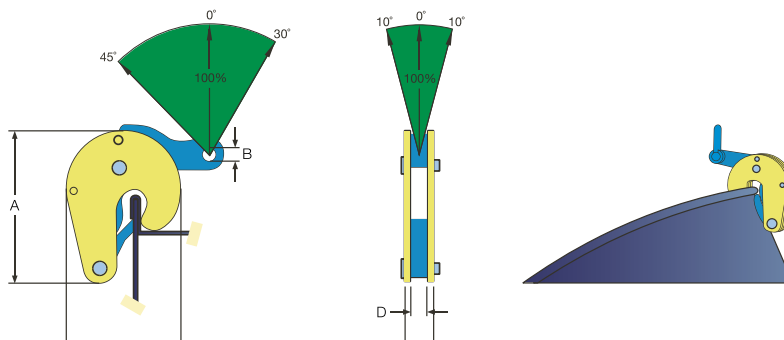


A min. 60mm/mx. 220 mm.  
Adjustable in steps of 25 mm.

Art. no.	Code	Capacity kgs/pc	Jaw opening (mm)	B	C	D	E	F	G	H	Weight kgs/pcs
G005627649	0.5 TBC	500	60 - 120	170	110	160	12	12	25	60	10
G005627650	1 TBC	1000	60 - 120	170	110	160	12	12	25	60	10
G005627652	1 TBCA	1000	60 - 220	170	110	160	12	12	25	60	11

## Drum Lifting Clamp, TVK

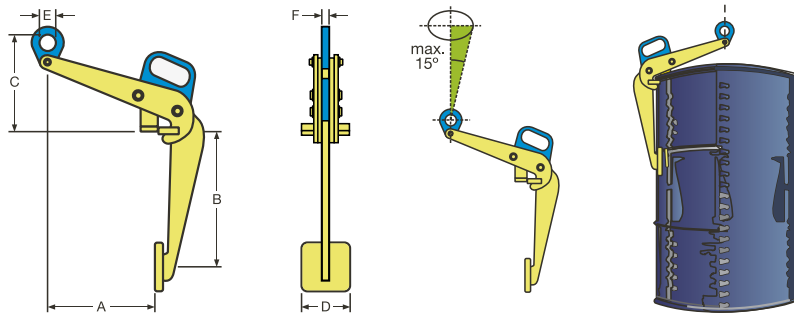
- For safe lifting and transportation of steel (oil) drums
- With automatic locking mechanism
- Can be used singles or in pairs



Art. no.	Code	Capacity kgs	Jaw opening (mm)	A	B	C	D	E	Weight kgs
G005627653	TVK	500	0 - 17	129	12	96	15	28	1.6

## Drum Lifting Clamp TVKH

- For lifting, handling and transporting of (oil)drums, where the drums have to stay in a horizontal position.

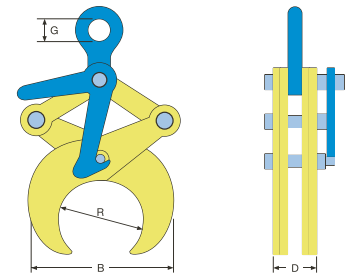


Art. no.	Code	Capacity kgs	A	B	C	D	E	F	Weight kgs
G005627654	TVKH	600	300	375	290	80	50	12	7.0

## Lifting Clamp TTL

- For vertical lifting of tubes, bundles of tubes and solid round material.

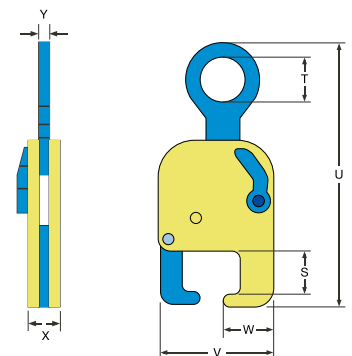
Art. no.	Code	Capacity kgs	Jaw opening (R) (mm)	B max	D	G	Weight kgs
G005627656	0.5 TTL	500	48.3 - 114.3	215	47	42	4
G005627657	1 TTL	1000	114.3 - 219.1	345	51	42	9
G005627658	2 TTL	2000	219.1 - 368	610	60	65	31
G005627659	3 TTL	3000	368 - 508	720	60	65	40



## Lifting Clamp TRC

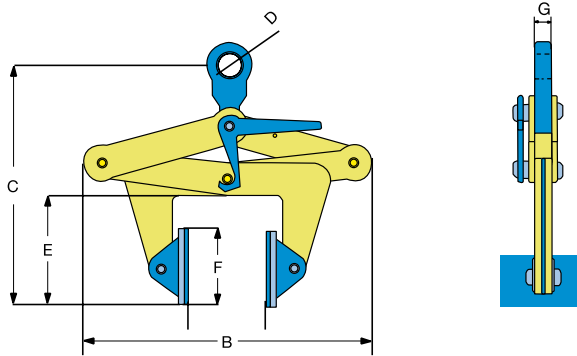
- For horizontal transport of rail profiles.
- The TRC is equipped with a safety mechanism, ensuring the clamp does not slip when lifting force is applied and when load is being lowered.
- The clamp is locked in closed as well in open position.
- Other capacities or other profile dimensions on request.

Art. no.	Code	Capacity kgs	Jaw opening (R) (mm)	S	T	U	V	W	X	Y	Weight kgs
G005627655	TRC	1500	40 - 75	63	65	390	170	70	48	16	8



## Lifting Clamp TBLC

- For vertical lifting and transporting without marking of products with parallel sides in various materials as steel, wood, plastic, concrete, marble etc.
- For vertical lifting and transporting without marking of products with parallel sides in various materials as steel, wood, plastic, concrete, marble etc.
- De pads are covered with special plastic to avoid dammaging of the load.



Art. no.	Code	Capacity kgs	Jaw opening (R) (mm)	B min-max	C min-max	D	E	F	G	Weight kgs
G005627661	0.5 TBLC	500	30 - 110	275 - 325	270 - 420	45	100	70 * 80	15	7
G005627662	1 TBLC	1000	60 - 250	360 - 610	360 - 610	45	140	100 * 120	17	12
G005627664	2 TBLC	2000	60 - 250	400 - 680	400 - 680	45	170	100 * 120	17	18
G005627665	3 TBLC	3000	120 - 500	740 - 840	490 - 840	65	200	100 * 120	20	32

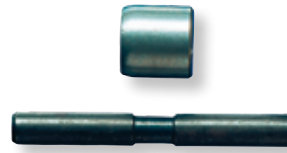
## Repair Sets

Art. no.

G005627720	RS650000	0.75 T
G005627722	RS650811	1 TSE
G005627724	RS650901	2 TS
G005627726	RS650911	3 TS
G005627728	RS650221	4.5 TSE

## Spare Part Set SKA

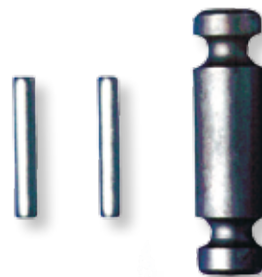
Art. no.	Code	Weight kgs
Z100989	SKA- 6-10	0.01
Z700674	SKA-6-8	0.01
Z100933	SKA- 7/8-10	0.02
Z323624	SKA-7/8-8	0.02
Z100934	SKA-10-10	0.04
Z318024	SKA-10-8	0.04
Z100990	SKA-13-10	0.08
Z303822	SKA-13-8	0.08
Z100991	SKA-16-10	0.14
Z303725	SKA-16-8	0.14
Z145048	SKA-18/20-8	0.26
Z101176	SKA-20-10	0.26
Z133530	SKA-22-8	0.35
Z605407	SKA-26-8	0.63
Z650554	SKA-32-8	1.05



SKA locking set for G-link, consists of a load pin and locking collar.

## Spare Part Set Berglok BLA

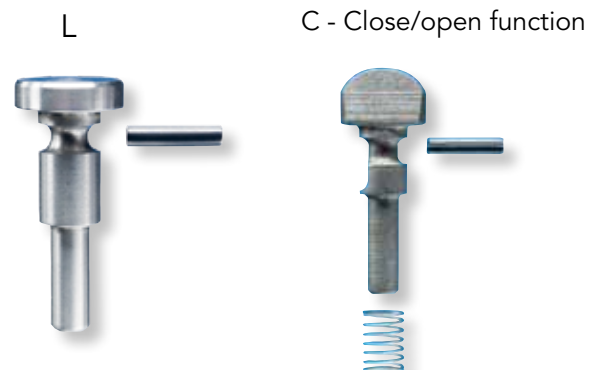
Art. no.	Code	Weight kgs
Z275649	BLA-6-8	0.01
Z275347	BLA-7/8-8	0.02
Z275444	BLA-10-8	0.04
Z275648	BLA-13-8	0.08
Z276047	BLA-16-8	0.15
Z276241	BLA-19-8	0.26



Set for Berglok and Clevis type connections. Consists of one load pin and two retaining pins.

## Locking Set Midgrab MIG

Art. no.	Code	Weight kgs
B14904	C-8	0.02
B14905	L-8	0.02
B14914	C-10	0.02
B14915	L-10	0.02
B14916	C-13	0.08
B14917	L-13	0.05



## Close/Open Locking Set FlexiLeg Quick Pin



Art. no.	Code	Weight kgs
Z101010	QP-6-10	0.01
Z101011	QP-8-10	0.01
Z101012	QP-10-10	0.01
Z101013	QP-13-10	0.03
Z101210	QP-13-10	0.03
Z101014	QP-16-10	0.06

## Spare Part CS

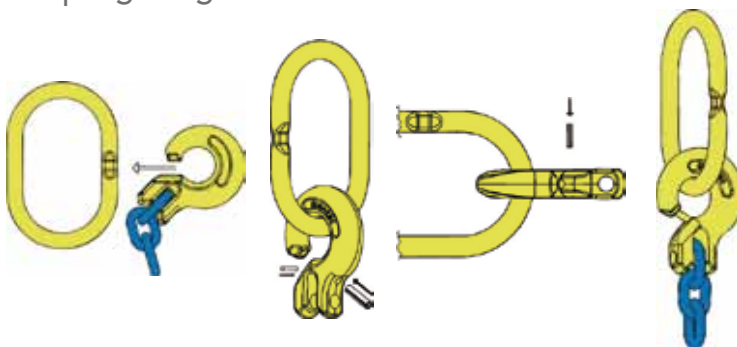
The C-connection set CS, for CG, CGD, CL, CLD and RH hook, consist of one blocking pin and one spring retaining pin, for locking.



Art. no.	Code	Weight kgs/ea
B14920	CS- 6-10	0.01
B14921	CS- 8-10 / RH-1& -2	0.01
B14922	CS-10-10 / RH-3	0.01
B14923	CS-13-10	0.03
B14924	CS-16-10 / RH-5	0.05

## Assembly

C-coupling - C-grab/C-lok with MF



## Spare Part GKN / OKN



Art. no.	Code	Weight kgs
Z622175	GKN/OKN-7/8-8	0.05
Z622183	GKN/OKN-10-8	0.09
Z622206	GKN/OKN-13-8	0.13
Z622214	GKN-16-8	0.22

Set consists of latch, stainless steel spring and rivet.

## Spare Part LKN new / EKN / OKN / EGKN / RH

Art.no.	Code	Weight kgs
Z100445	RDEKN- 6 / OKN / RH 1	0.03
Z100447	RDEKN- 7/8 /LKN new / RH 2	0.05
Z100450	RDEKN-10 / LKN new / RH 3	0.06
Z100449	RDEKN-13 / LKN new / RH 5	0.13
Z100217	RDEKN-16 / LKN new	0.20
Z100453	RDEKN-18/20	0.26
Z100452	RDEKN-22	0.42



Set consists of latch, stainless steel spring and rivet.

## Spare Part Set SKN, OKN, och LKN

Art. no.	Code	Weight kgs
Z420581	SKN/LKN-7/8-8	0.05
Z420688	SKN/LKN-10-8	0.10
Z420785	SKN/LKN-13-8	0.14
Z420989	SKN/OKN-16-8	0.22
Z421087	SKN/OKN-18/20-8	0.27
Z700698	OKN-22-8	0.48



Set consists of latch, stainless steel spring and rivet.

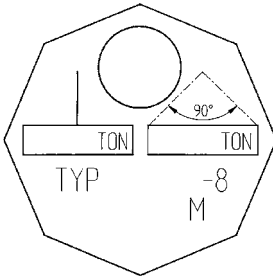
## Spare Part UKN

Art. no.	Code	Weight kgs
Z100258	RDUKN-0.75	0.06
Z700264	RDUKN-1	0.12
Z700958	RDUKN-2	0.20
Z700266	RDUKN-3/4	0.20
Z700268	RDUKN-5/8	0.36
Z700269	RDUKN-10	0.88
Z700984	RDUKN-15	1.20



Spare part set RDUKN (msp) consists of forged latch, pin, stainless steel spring and retaining pin.

## Id-tag Stainless



Art.no.	Code
Z100004	Id-tag

## Sling Id-tag Stainless



Art. no.	Code
B14841	Flexitag 6 mm with ferrule and wire
B14842	Flexitag 8 mm with ferrule and wire
B14843	Flexitag 10 mm with ferrule and wire
B14844	Flexitag 13 mm with ferrule and wire
B14845	Flexitag 16 mm with ferrule and wire
Z100971	Flexitag 6 mm
Z100972	Flexitag 8 mm
Z100973	Flexitag 10 mm
Z100974	Flexitag 13 mm
Z100975	Flexitag 16 mm
Z101077	Flexitag 20 mm
Z100899	Flexitag Neutral

## Extra Long Bolt for Rotating Lifting Point RLP

L= The effective thread length below RLP house. See drawing of standard RLP p. 2:43

Art. no.	Bolt	L	Weight kgs appr.
Z7681688	M8 x 120	99	0.44
Z7681695	M10 x 120	99	0.73
Z7681707	M12 x 120	89	1.05
Z7681716	M16 x 200	169	2.92
Z7681725	M20 x 200	158	4.84
Z7681740	M24 x 200	158	7.22
Z7681795	M30 x 200	141	1.21
Z7681808	M36 x 200	141	1.81



## Spare Part RDBK / BKG (with assembly kit)

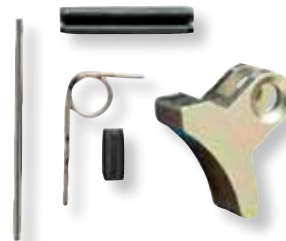
Art. no.	Code	Weight kgs
Z100282	RDBK-6-8/10	0.01
Z100283	RDBK-8-8/10	0.02
Z100284	RDBK-10-8/10	0.03
Z100285	RDBK-13-8/10	0.05
Z100286	RDBK-16-8/10	0.08
Z100297	RDBK-18/20-8/10	0.28
Z100323	RDOBK-22-8	0.35



Set for BK/BKG Safety hooks consists of trigger, stainless steel spring, retaining pin and assembly kit.

## Spare Part RDOBK / GBK (with assembly kit)

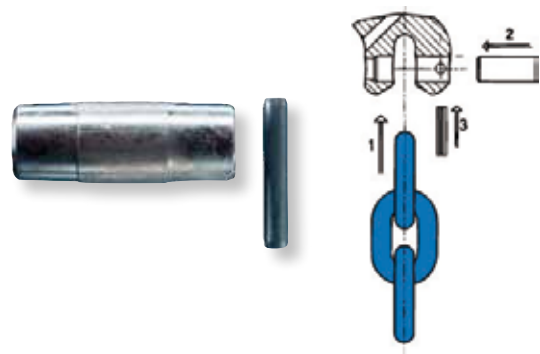
Art. no.	Code	Weight kgs
Z100281	RDOBK-6-8/10	0.01
Z100288	RDOBK-7/8-8/10	0.02
Z100289	RDOBK-10-8/10	0.03
Z100290	RDOBK-13-8/10	0.05
Z100291	RDOBK-16-8/10	0.08
Z100297	RDOBK-18/20-8/10	0.28



Set for OBK/GBK Safety hooks consists of trigger, stainless steel spring, retaining pin and assembly kit.

## Load Pin Set CLS

Art. no.	Code	Weight kgs/ea
B14930	CLS- 6	0.01
B14931	CLS- 8	0.02
B14932	CLS-10	0.04
B14933	CLS-13	0.09
B14934	CLS-16	0.16
B14935	CLS-20	0.26



Clevis connection set (CLS) consist of one load pin and one spring retaining pin.

# Stainless Steel Products

Chain • Lifting components • Shackles •  
Rigging screws • Other products



**GUNNEBO**  
LIFTING